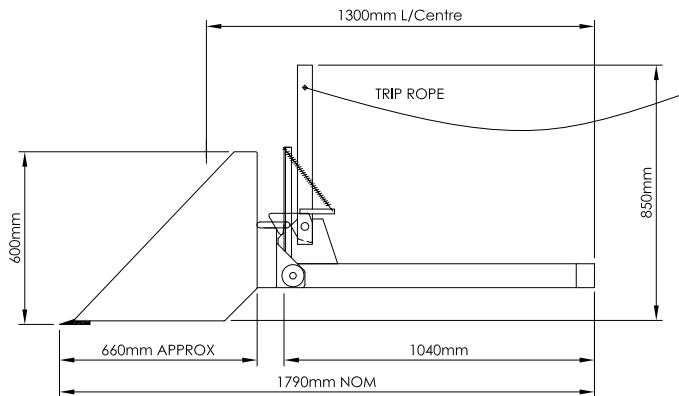


Type DB-M Manual Bucket

This manually operated slip-on dirt bucket connects quickly to the forklift without any hydraulic connection required. Extremely useful for removing loose material from floors such as gravel, grain, coal etc. Dumping of product is via a simple mechanical lever operated from the drivers seat. Bucket is fitted with a hardened steel wear edge. Available in either painted or galvanised finish.

- Volume Capacity: 0.22 cu m
- Safe Working Load: 500 kg
- Bucket Width: 1200 mm
- Fork Pocket Size: 165 mm x 65 mm
- Fork Pocket Centres: 635 mm
- Unit Weight: 195 kg



Forklift Traders P/L

Ph: 1800 688 788

Email sales@FLT.com.au Web www.FLT.com.au

Type DBHS Dirt Bucket

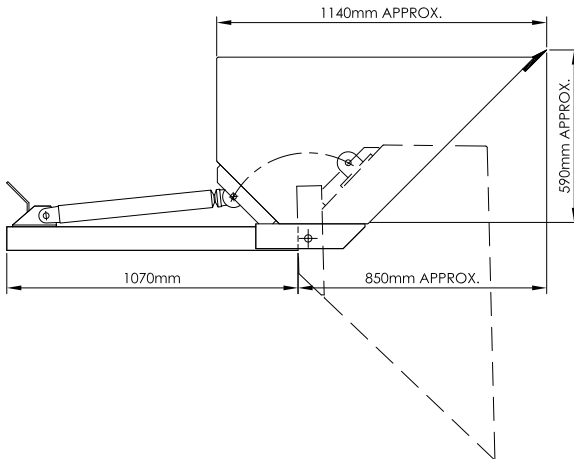
The DBHS Hydraulic Dirt Bucket is a slip-on attachment allowing quick connection to the forklift with the use of "Quick Connect" hydraulic couplings.

The hydraulic operation allows for full backwards tilt making the bucket suitable for liquid products. This bucket is manufactured with a hardened steel wear edge. Available in either galvanised or enamel paint finish.

- Fork Pocket Size: 165 mm x 65 mm
- Fork Pocket Centres: 750 mm
- Safe Working Load: 1000 kg



DBHS 15



Type	Capacity (cu. m)	Bucket Width (mm)	Unit Weight (kg)
DBHS 12	0.50	1200	315
DBHS 15	0.75	1500	355
DBHS 18	0.90	1800	395

Forklift Traders P/L

Ph: 1800 688 788

sales@FLT.com.au www.FLT.com.au

Forklift Attachments

Dirt Buckets

Type DB-H Hydraulic Bucket

A slip-on hydraulically operated bucket which quickly connects to the forklift, requiring one additional hydraulic function to operate.

The hydraulic operation allows for full backwards tilt making the bucket suitable for liquid products. Bucket is fitted with a hardened steel wear edge. Available in either painted or galvanised finish.

- Volume Capacity: 0.22 cu m
- Safe Working Load: 500 kg
- Bucket Width: 1200 mm
- Fork Pocket size: 165 mm x 65 mm
- Fork Pocket Centres: 635 mm
- Unit Weight: 200 kg

